

MODEL : DIAPHRAGM VALVE | PV111 (PVC,PP,PTFE)



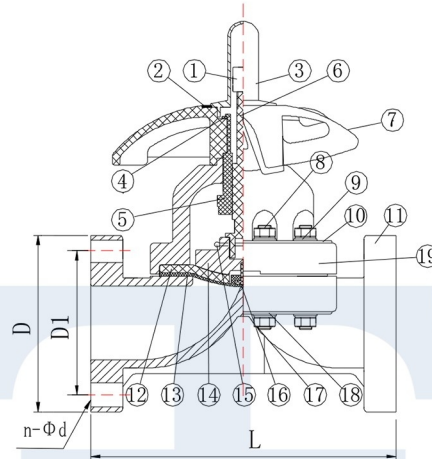
Connection: Flange JIS10K, PN10 & ANSI150

◆ Feature

1. Near - Linear Flow Characteristics
2. The Gauge Cover also serves as an Indicator, allowing easy check of Opening Degree
3. Resistant to High Abrasion and Chemical

◆ MATERIAL

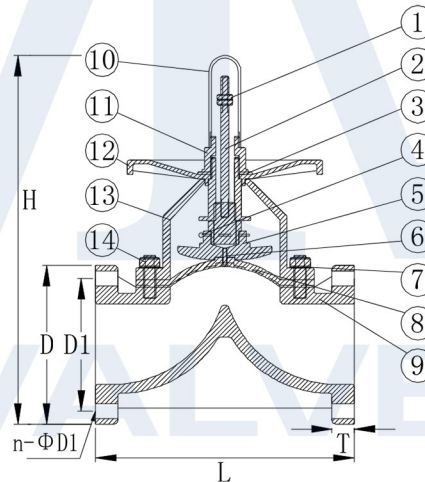
No	Parts Name	MATERIAL
1	Gasket	Steel/SS304
2	Indicator	PP
3	Cap	AS
4	Stop ring	Steel
5	Stem nut	Steel
6	Stem	Steel
7	Hand wheel	ABS
8	Nut	Steel/SS304
9	Washer	Steel/SS304
10	Gasket	Steel/SS304
11	Body	CPVC/PVC-U/PP/PVDF
12	Cushion	EPDM
13	Diaphragm	PTFE
14	Disc	CPVC/PVC-U/PP/PVDF
15	Pin	Steel
16	Screw	Steel/SS304
17	Bolt	Steel/SS304
18	Gasket	Steel/SS304
19	Bonnet	CPVC/PVC-U/PP/PVDF



RPV111 (Size 1/2" - 4")

◆ MATERIAL

No	Parts Name	MATERIAL
1	Set Nut	Steel/SS304
2	Stem	Steel
3	Gasket	PP-G
4	Pin	Steel
5	Compressor	Cast Iron
6	Screw	Steel/SS304
7	Gasket	PP-GF
8	Cover	AS
9	Cap	PP-G
10	Hand Wheel	ABS
11	Diaphragm	PTFE+EPDM
12	Body	CPVC/PVC-U/PP/PVDF
13	Bonnet	CPVC/PVC-U/PP/PVDF
14	Bolt&Nut	Steel/SS304



RPV112 (Size 5" - 10")

◆ DIMENSIONS (mm)

SIZE		DI			D	L	n-Φd			Weight Kg
DN	INCH	PN10	ANSI150	JIS10K			PN10	ANSI150	JIS10K	
DN15	1/2"	65	60	70	95	125	4-14	4-16	4-15	0.9
DN20	3/4"	75	70	75	105	135	4-14	4-16	4-15	1.2
DN25	1"	85	80	90	115	145	4-14	4-16	4-19	1.4
DN32	1 - 1/4"	100	89	100	135	160	4-18	4-16	4-19	1.8
DN40	1 - 1/2"	110	98	105	145	180	4-18	4-16	4-19	2.6
DN50	2"	125	120	120	160	210	4-18	4-19	4-19	3.4
DN65	2 - 1/2"	145	140	140	180	250	4-18	4-19	4-19	5.8
DN80	3"	160	152	150	195	300	8-18	4-19	8-19	7.4
DN100	4"	180	190	170	215	350	8-18	8-19	8-19	11
DN125	5"	210	216	210	255	400	8-18	8-22	8-19	18
DN150	6"	240	241	240	280	460	8-22	8-22	8-23	31
DN200	8"	295	298	290	340	570	8-22	8-22	12-23	45
DN250	10"	350	362	355	395	680	12-22	12-26	12-25	58

Specification is subject to change without prior notice